

## Oil Change System with Gear Pump

Reverso has been the premier maker of oil change systems for over 20 years. This product is installed as standard equipment by a majority of boat builders.

- Compact
- Reversible (Drains and fills engines)
- Self-priming
- Simplifies oil changes
- Reduces chances of oil spills
- Central service point for multiple equipment
- Available with valve options 2 - 6



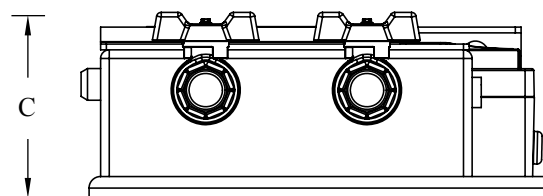
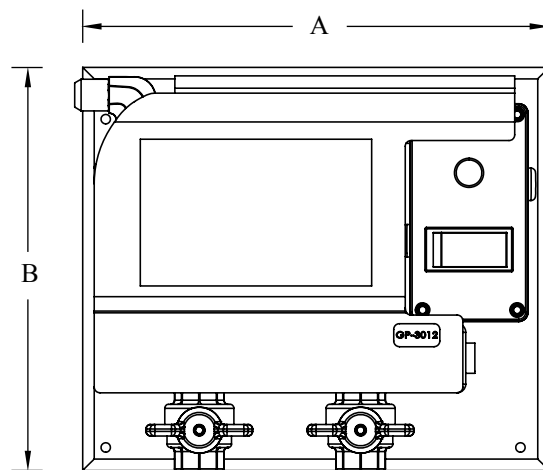
### Technical Specification

Pump Port	1/2" Flare
Manifold Ports	1/2" FNPT
Flow Rate	2.5 GPM (9.46 LPM)
Self-priming	5 ft (1.5 m) (wet gears)
Lift	10 ft (3.05 m)
Pump body	Nickel Brass
Gears	Bronze
Shaft	Stainless Steel
Seal	Fluoroelastomer lip seal
Motor	12V or 24V DC
Breaker	10A@12V, 5A@24V

Pressure	12V Flow	12V Amp	24V Flow	24V Amp
0.2 psi	2.6 GPM	3A	2.4 GPM	1.8A
10 psi	2.3 GPM	3.6A	2.1 GPM	2.4A
15 psi	2.1 GPM	3.9A	1.9 GPM	2.7A
20 psi	1.9 GPM	4.3A	1.8 GPM	2.8A
25 psi	1.6 GPM	4.8A	1.6 GPM	3A
30 psi	1.4 GPM	5.2A	1.3 GPM	3.4A
35 psi	1.3 GPM	5.9A	1.1 GPM	3.8A
40 psi	1.1 GPM	6.4A	0.9 GPM	4.3A

Model	A	B	C	Weight
GP-3012	10.1"(257.2mm)	8.75"(222.3mm)	4"(101.6mm)	10 lbs(4.5kg)
GP-3013	10.1"(257.2mm)	8.75"(222.3mm)	4"(101.6mm)	10 lbs(4.5kg)
GP-3014	11.8"(298.5mm)	8.75"(222.3mm)	4"(101.6mm)	11 lbs(5.0kg)
GP-3015	14.4"(365.1mm)	8.75"(222.3mm)	4"(101.6mm)	12 lbs(5.5kg)
GP-3016	16.5"(419.1mm)	8.75"(222.3mm)	4"(101.6mm)	13 lbs(5.9kg)

### Ordering Specifications



Drawing dimensions for reference only.  
 Technical drawings available upon request. Shown: GP-3012-12